

Product
Catalogue

TH LOUVER



Warranty : from 10 year up to 30 years

THUNG HING GROUP

[W:www.thunghing.com.my](http://www.thunghing.com.my) [E:enquiries@thunghing.com](mailto:enquiries@thunghing.com) [f:Thung Hing group](https://www.facebook.com/ThungHingGroup) [@:thunghing.group](https://www.instagram.com/thunghing.group) [d:thunghing.group](https://www.linkedin.com/company/thunghing.group)

The information and illustration contained herein are for guidance only. Care has been taken to ensure all data and information herein is factual and numerical values are accurate at the time of publication. However, any or all technical specification, information and dimensions are nominal and provisional; they are subjected to change and variations in accordance with market conditions at the date of factual supply. No representation is made or to be implied as to the data and information herein; THUNG HING GROUP, and its subsidiary and associate companies shall not be responsible for any errors in or misrepresentation of the information contained in this brochure or its use. THUNG HING GROUP, and its subsidiary and associate companies reserve the right to alter any or all specifications as deemed fit and necessary without prior notice.
Copyright © 2024 THUNG HING GROUP. All Rights Reserved.

TH LOUVER

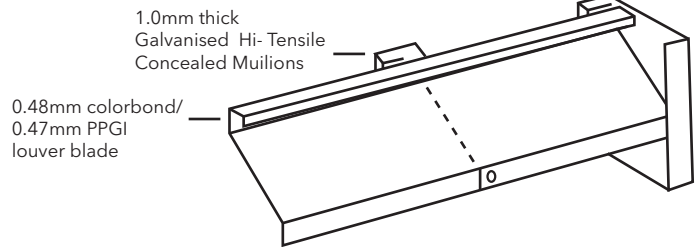
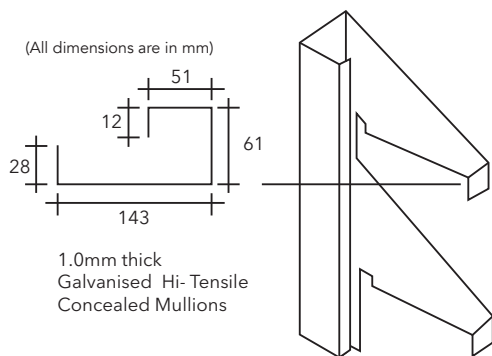
TH Louver is an architectural or engineering feature consisting of a set of angled or horizontal slats or blades that are used to control the flow of air, light, or other elements while providing protection against certain environmental factors. They are commonly used in building designs to manage ventilation and protect against elements such as rain, dirt, and debris while still permitting the passage of air or light. Louvers can be found in a variety of applications, including windows, doors, HVAC systems, industrial buildings, and more

SPECIFICATIONS

Profile available : 103, 121, 143, 151, 176, 202

Louver Blade 0.47mm - 0.90mm thk

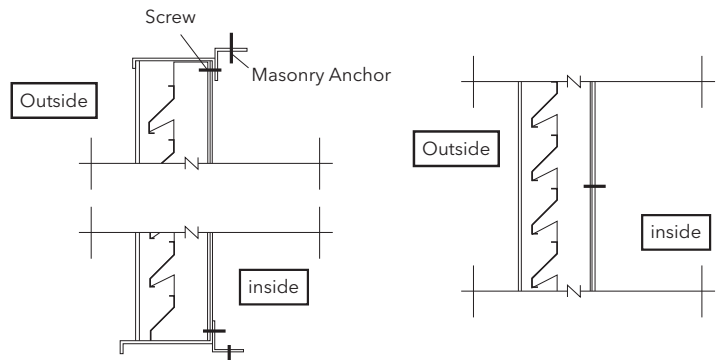
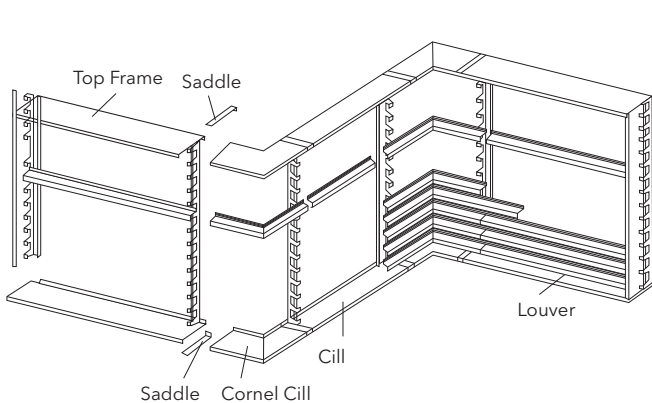
Material: Zinalume, Cleancolorbond, Primero, Aluminium PVDF



Recommended spacing : 900mm, 1250mm or 1550mm c/c



INSTALLATION



Sectional Detail with Mullion Bracket 1.0mm thk @ max 1.25m spacing