



东兴金属工业有限公司
 THUNG HING METAL INDUSTRY SDN. BHD.
 (395096-D)



TH ULROLL BOND

HOME & INDUSTRIAL ROOFING

住宅及工業用途



Zincalume®

Elements™

clear Colorbond®

PrimaMaju™

CoolZal®



Certified to : BS EN 612:2008
 Certification No : PT059101



Certified to : ISO 9001:2008
 Cert. No : AR 4673

TH ULROLL BOND

Thung Hing Metal is the reliable metal roofing products manufacturer. With sophisticated roll-forming machinery, Thung Hing Metal has already provides wide-range of metal roofing product over many heads in Malaysia.

NEW



PRODUCT :

TH ULROLL BOND

1

TH ULROLL BOND is designed to look like EURO clay tiles, with its attractive and efficient design, TH ULROLL BOND, the best replacement for conventional concrete or clay tiles. Reliable weatherproof system, it becomes ideal for all building' roof.





**HOME & INDUSTRIAL
ROOFING**
住宅及工业用途

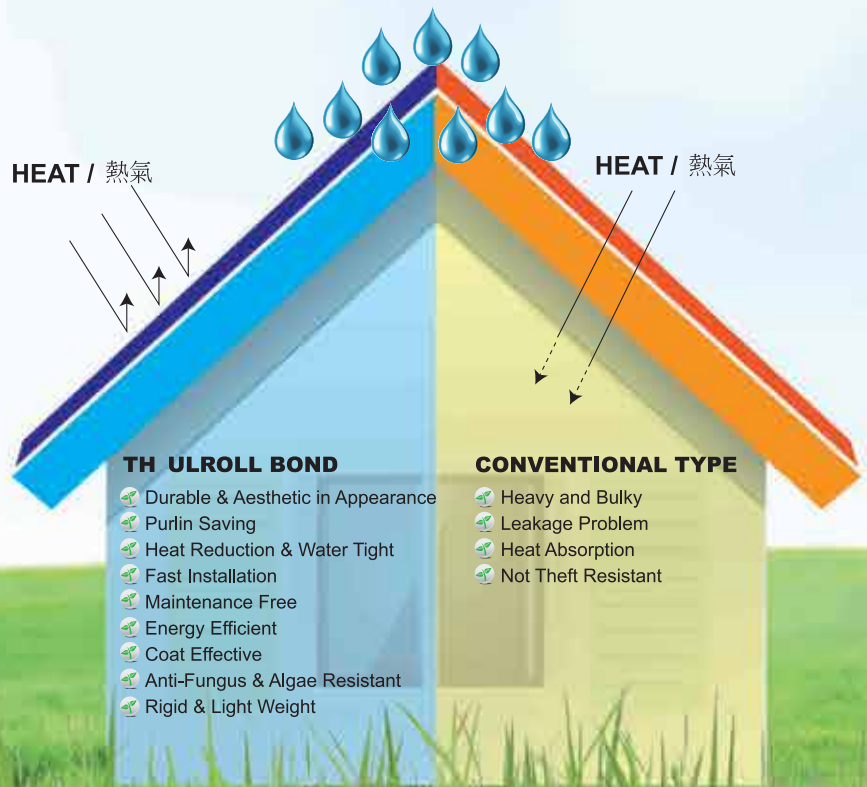


Advantages of TH ULROLL BOND

- ✓ Durable & Aesthetic in Appearance / 耐久美觀
- ✓ Safety & Light Weight / 安全可靠
- ✓ Heat Reduction & Water Tight / 良好隔熱防水效果
- ✓ Fast Installation / 快速安裝
- ✓ Maintenance Free / 免維修

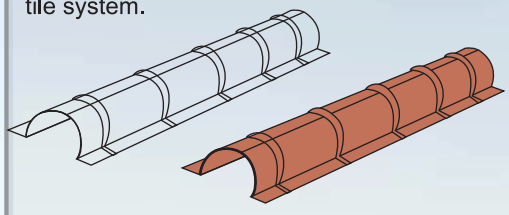


TH ULROLL BOND VS Conventional Type



ACCESSORIES: Barrel Capping

To give the complete accessories for the clay tile system.



Custom made module length available

Recommendations

The minimum recommended roof pitch is 5°

Batten Spacing

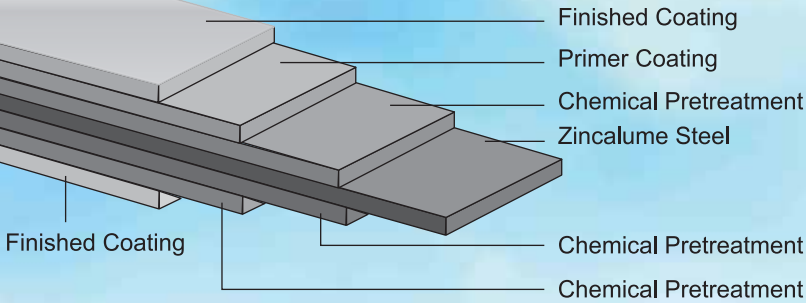
Internal Support : 610mm Max
End Support : 305 Max

Product Tolerances

Length : ±10mm
Width : ±5mm
Thickness : ±0.02mm

TH ULROLL BOND is available in custom lengths and thickness to suite site measurement.

Standard Material Specifications

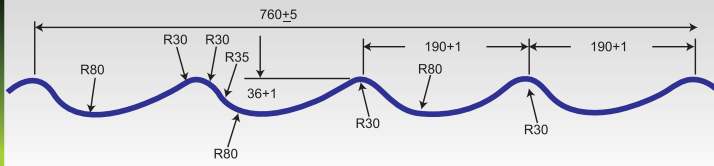


Coating Specifications

Gauge	B.M.T.	T.C.T
26	0.42	0.47
27	0.35	0.40
28	0.30	0.35
30	0.25	0.30

TH ULROLL BOND

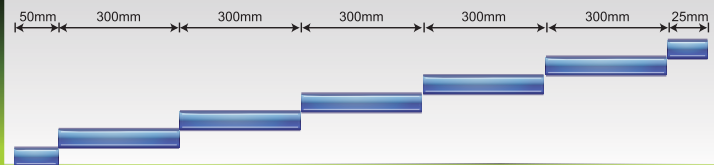
Panel Section



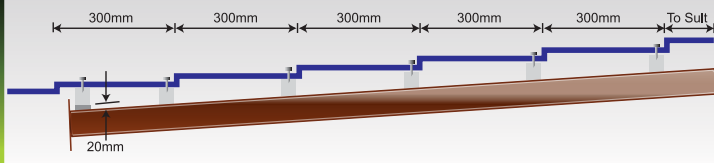
Roof Sheet Laying



Typical TH[®] ULROLL BOND Tilesheet



Roof Battens



東興金屬工業有限公司 (395096-D)
Thung Hing Metal Industry Sdn. Bhd.