



Delivering Excellence, Building Solutions.

TH STRIP CEILINGS 100





TH STRIP CEILING 100

The TH Strip Ceiling 100 is popular concealed ceiling systems used in many building internally as well as externally. The recessed joints provide the linear appearance that enhances the perspective of space. The available colors enable the designer to create a non-monotonous ceiling.

COMPOSITION

System:

Strip panel, carrier, trimming angle and suspension clip ceiling system forming a module 100mm / module 92mm.

Material :

The TH Strip Ceiling 100 panel are roll formed from:
 a) 0.55mm thick prepainted stove aluminium or
 b) 0.35mm thick prepainted hot dip galvanized steel.

Paint Systems / Coatings :

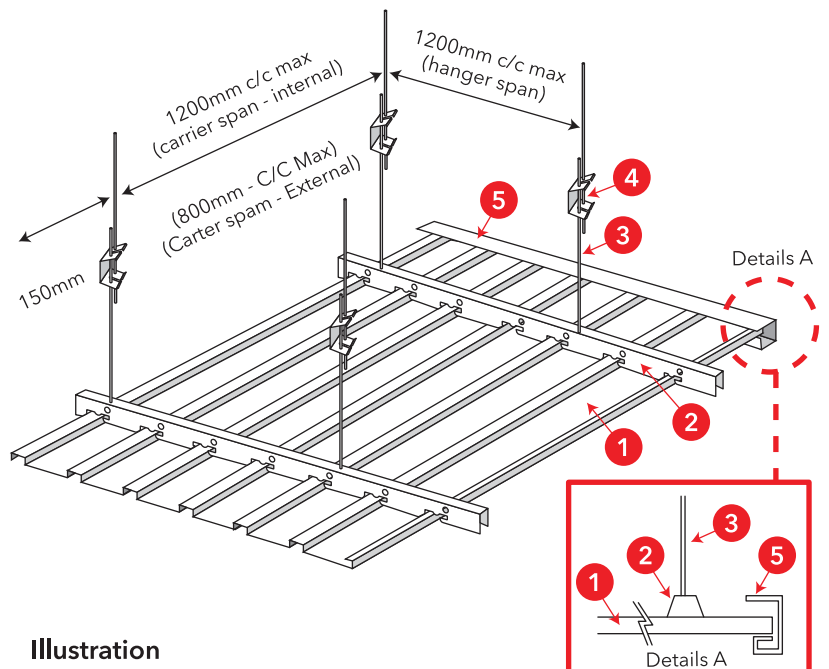
Polyester coating or PVDF coating

Approximately 15-25 micron thick coating providing excellent surface protection and finish.

Warranty 10 year - 25 year



Installation Details :



Illustration

- 1) The TH Strip Ceiling 100
- 2) 100 carrier (Type A / Type B)
- 3) Rod hanger / C channel C (Heavy duty)
- 4) Adjustable / Sparing Clip
- 5) Trimming channel 26 x 17 x 13 / L-Angle 25 x 25



MATERIAL SPECIFICATION

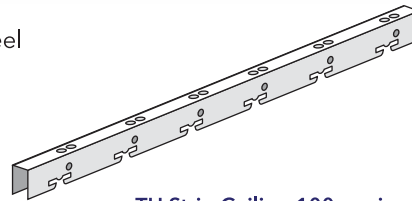
Panel:

| | |
|--------------|-------------------------|
| Panel Width | 100 / 95 |
| Panel Depth | 12.50mm |
| Panel Flange | 21mm |
| Colour Range | Range of Standard Color |

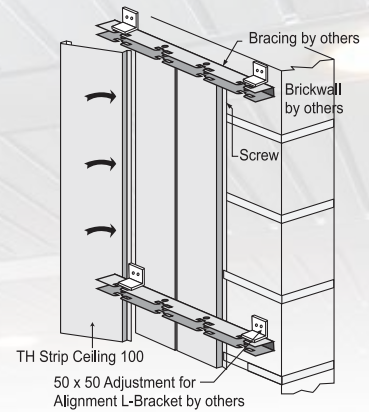


Carrier Rail :

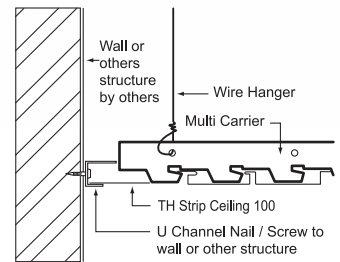
| | |
|-------------------|--|
| Section width | 19mm |
| Section Depth | 41 Type A / 31 Type B |
| Section Thickness | 0.5mm thick for galvanized steel 0.9mm thick for aluminium |
| Section Length | 4877mm (50 clip Holes) 16" 3720mm (38 clip Holes) 12" 4877mm (32 clip Holes) 10" |
| Carrier Spacing | 1000 - 1200 mm for internal 800 - 1000 mm for external |



TH Strip Ceiling 100 carrier



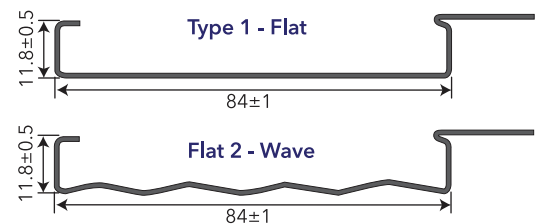
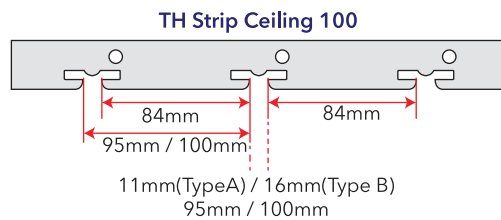
Typical Wall Facades Detail



Typical Gable End Detail Ceiling 100

Close System:

- Concealing the carrier rails
- Excellent for outdoor use
- Does not allow air circulation thus minimizing dust collection on panel surface.



ACCESSORIES

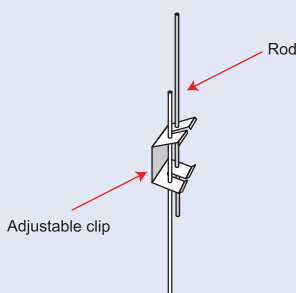
Brief technical specification

The TH Strip Ceiling 100 panels are manufactured from 0.5mm thick prepainted aluminium/0.35mm thick prepainted galvanized steel. It is manufactured by using roll forming process to form the panels width of 84mm, 12.5mm depth and 21mm flange

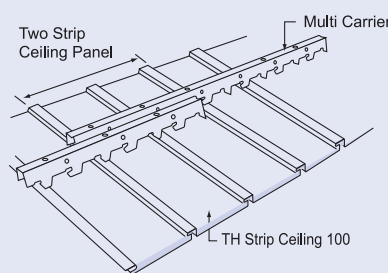
When the strip panels are clipped onto the 84C carrier, the panels will form a 11mm/16mm recess (Module 95 / 100).

The carrier is made of 0.5mm thick aluminium or 0.5mm galvanized steel like an inverted U channel. Panel grips are punched out from the carrier at equal space to provide the means for the strip panels to be clipped onto the carrier. The carrier is installed at a spacing of between 1000mm to 1200mm for internal applications, and between 800mm to 1000mm for outdoor applications.

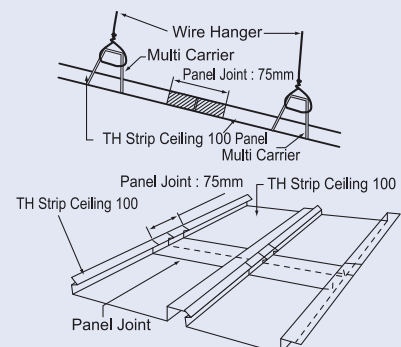
Mineral wool pads can be laid on top of the ceiling panels for heat and fire insulation. For effective acoustical control, the strip panels can be perforated and bonded with a layer of black non-woven acoustic black tissue.



Suspension Clip



Multi Carrier Joint Detail



Typical Detail Joint using Panel Joint



Features

- Aesthetics
- Dirt and stains can be easily cleaned
- Does not get moldy or sag
- Available in a wide range of colours
- Light weight and easy to handle and install
- Individual panels can be removed easily for access
- Panels can be custom cut to desired lengths
- Fast manufacturing time and delivery speed
- Concealing the carrier rail for neat and tidy appearance



CENTRAL REGION

SELANGOR DARUL EHSAN :
 Lot P. T. 1353, Jalan Mohd Taib,
 Kaw. Industriarian Sg. Choh, 48000 Rawang,
 Selangor Darul Ehsan, Malaysia
 Tel : +603-6099 9999 / 9988
 Fax : +603-6099 9922 / 9933

NORTHERN REGION

KEDAH DARULAMAN :
 No. E2, Jalan Cendana 4/5,
 Kaw. Perindustrian Cendana,
 08000 Sungai Petani,
 Kedah Darul Aman, Malaysia
 Tel : +604-430 0321(HL)
 +604-430 4335 / 4568
 Fax : +604-430 4393 / 4348 / 4849
 H/P: +6012-381 9218

EAST COAST

KELANTAN DARUL NAIM :
 Lot 1493, Kaw. Perindustrian Pengkalan Chepa II,
 Seksyen 44, Mukim Panchor, Daerah Kemumin,
 16100 Kota Bharu, Kelantan Darul Naim, Malaysia
 Tel : +609-774 1127 / 1128
 H/P: +012 - 200 6335
 Fax : +609-609-774 1130 / 1131

SOUTHERN REGION

JOHOR DARUL TAKZIM :
 Lot 4452, Pt. Kampung Abdul Rahman,
 82200 Benut, Pontian, Johor Darul Takzim,
 Malaysia
 Tel : +607-690 9926 / 9929
 H/P: +017 - 464 1218
 Fax : +607-690 9928

THUNG HING INDUSTRIAL TRADING SDN BHD (264902-P)

www.thunghing.com.my enquiries@thunghing.com

