

THE RAIN GUTTERS SYSTEM

DOUBLE DURABLE

Compare to
Conventional
Pvc Gutter



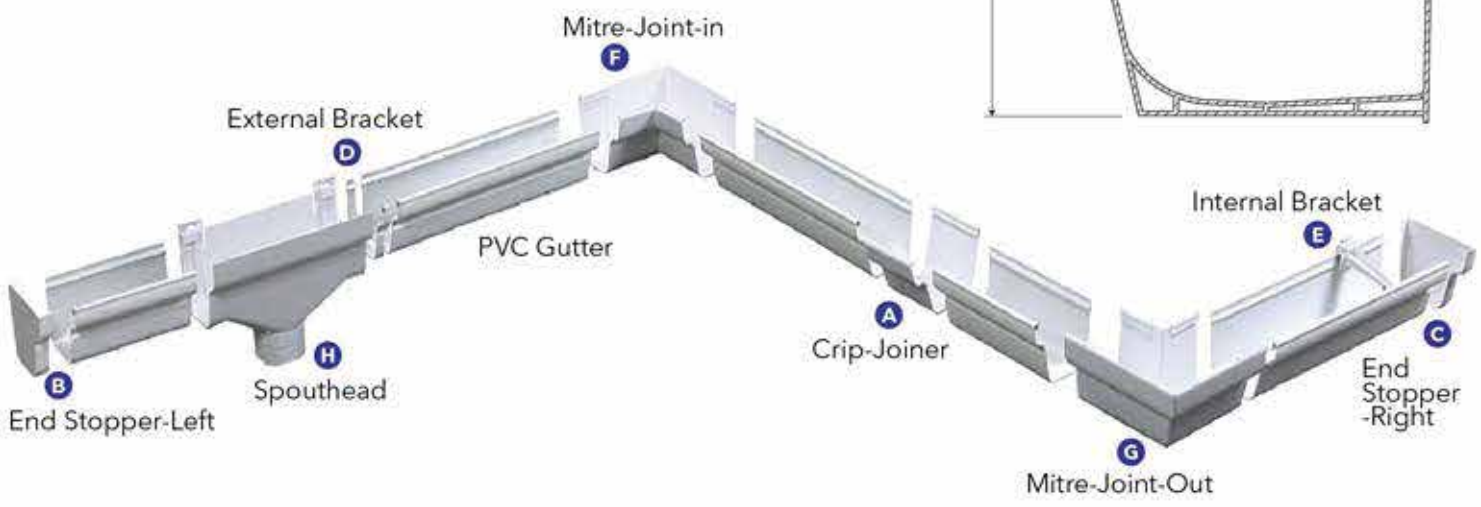
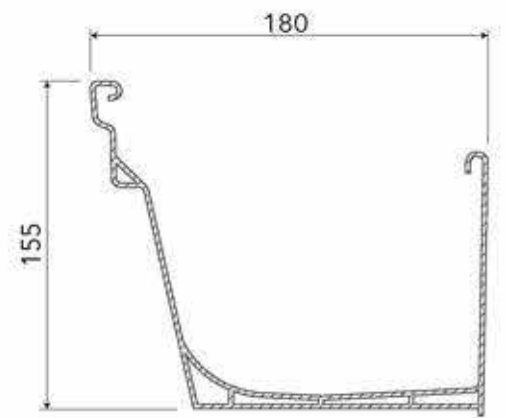
TH PVC
GUTTER G300

Double Wall System





EASY TO INSTALL



DURABLE & COST EFFECTIVE THE RAIN GUTTERS SYSTEM



STYLISH DESIGN

The unique design of the TH PVC Gutter G300 is able to complement any contemporary lifestyle design. With this exclusive layout, the external / internal brackets and outlets can be placed anywhere along the length of the gutter.

A comprehensive range of TH PVC Gutter G300 and accessories are manufactured to the same high standards. TH PVC Gutter G300 range is designed to suit wide application and with its aesthetically superior outlook, most buildings can benefit from it.

APPLICATION

TH PVC Gutter Systems are recommended for building applications, and are specifically designed for contemporary houses and condominiums.

VARIOUS COLOUR SELECTION

White

Dark Grey

Brown

Tanah Liat

Note : All colour shown above are close to the actual Thung Hing Industry PVC Gutter colour as the limitations of the printing process may affect the actual colour tone.

ADVANTAGES

- Durable and Lightweight
- Corrosion and UV Resistant
- Double Wall System at the base
- Hopper outlet with Higher Flowrate
- High Flow Capacity with 18,388 mm²
- Anti-Dripping System to Prevent Leaking
- Wall thickness 10% thicker than conventional pvc gutter
- Designed to accommodate extensive thermal movement

TH PVC GUTTER G300 CAPACITY

Area	Required No of Outlet
75m ²	1 no
150m ²	2 nos
225m ²	3 nos
300m ²	4 nos
375m ²	5 nos

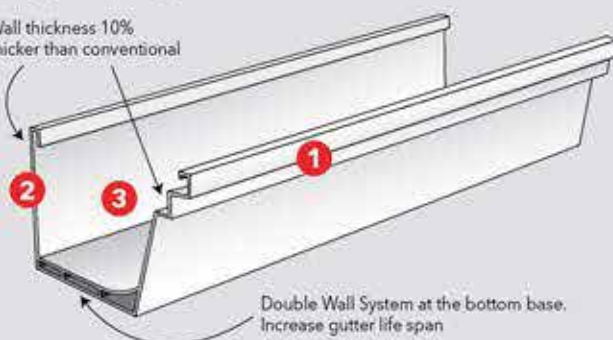
* Rainfall intensity based on 325mm/hour and calculated on size and dimension of TH PVC Gutter G300 model

Gutter bracket spacing recommended is 600mm center to center

TH PVC GUTTER PROFILE

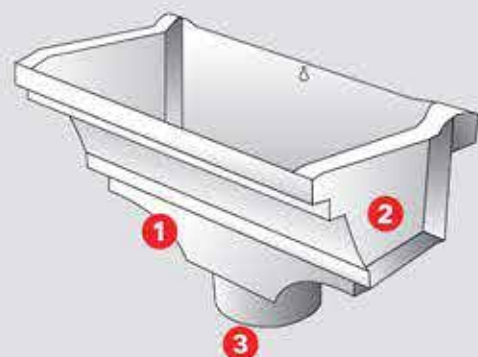
- 1 More flexibility with P-Shape front return
- 2 Grooved profile to enable horizontal movement after locking into internal bracket
- 3 Higher capacity 18,388mm²

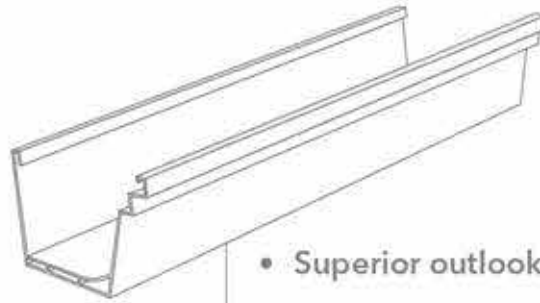
Wall thickness 10% thicker than conventional



EXPANSION OUTLET

- 1 Hooper outlet, draining up to 10L/S no leaking
- 2 With anti dripping baffle design.
- 3 Suitable for round and rectangular down pipe





- Superior outlook
- Certified BS EN 607 and BS EN 1462
- An exclusive layout, with internal brackets and outlets that can be placed anywhere along the length of the gutter

www.thunghing.com.my

enquiries@thunghing.com.my



CENTRAL REGION

SELANGOR DARUL EHSAN :
Lot P. T. 1354, Jalan Kesidang 5,
Kaw. Industri Sg. Choh,
48000 Rawang,
Selangor Darul Ehsan, Malaysia
Tel : +603-6099 9999 / 9988
Fax : +603-6099 9922 / 9933

NORTHERN REGION

KEDAH DARUL AMAN :
No. E2, Jalan Cendana 4/5,
Kaw. Perindustrian Cendana,
08000 Sungai Petani,
Kedah Darul Aman, Malaysia
Tel : +604-430 0321(HL)
+604-430 4335 / 4568
Fax : +604-430 4393 / 4348 / 4849
H/P: +6012-381 9218

PERAK DARUL RIDZUAN :
108 & 108A, Pekeliling Dataran
Kledang, Taman Rasi Jaya. 31450.
Menglembu. Ipoh.
Perak Darul Ridzuan, Malaysia.
Tel : +605-2811 844 / 2821 844
Fax : +605-2820 844

SOUTHERN REGION

JOHOR DARUL TAKZIM :
Lot 4452, Pt. Kampung
Abdul Rahman,
82200 Benut, Pontian,
Johor Darul Takzim, Malaysia
Tel : +607-690 9926 / 9929
H/P: +017-464 1218
Fax : +607-690 9928

EAST COAST

KELANTAN DARUL NAIM :
Lot 1493, Kaw. Perindustrian Pengkalan Chepa II,
Seksyen 44, Mukim Panchor, Daerah Kemumin,
16100 Kota Bharu, Kelantan Darul Naim, Malaysia
Tel : +609-774 1127 / 1128
H/P: +012-200 6335
Fax : +609-609-774 1130 / 1131

THUNG HING INDUSTRIAL TRADING SDN BHD (264902-P)



The information and illustration contained herein are for guidance only. Care has been taken to ensure all data and information herein is factual and numerical values are accurate at the time of publication. However, any or all technical specification, information and dimensions are nominal and provisional, they are subjected to change and variations in accordance with market conditions at the date of factual supply. No representation is made or to be implied as to the data and information herein. THUNG HING GROUP and its subsidiary and associate companies shall not be responsible for any errors in or misrepresentation of the information, contained in this brochure or its use. THUNG HING GROUP and its subsidiary and associate companies reserve the right to alter any or all specifications as deemed fit and necessary without prior notice.
Copyright © 2019 THUNG HING GROUP.