



東興工業貿易有限公司
 THUNG HING INDUSTRIAL TRADING SDN BHD
 (264902-P)

Superior System,
 Perfect Solution
 for all rain drainage
 needs

TH-FEATURED®
 GUTTER



Certified to : BS EN 612 : 2008
 Certification No : PT059101



Certified to : ISO 9001:2008
 Cert. No : AR 4673

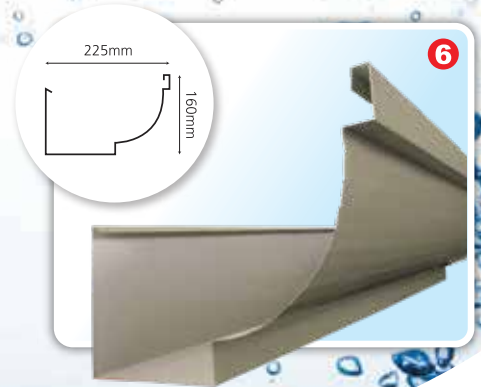
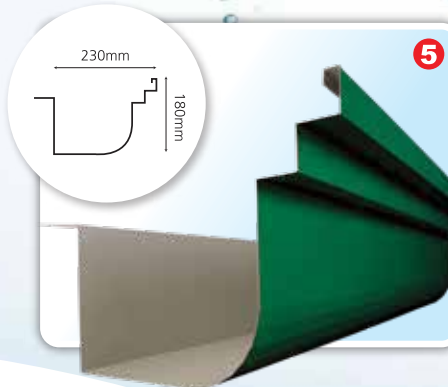
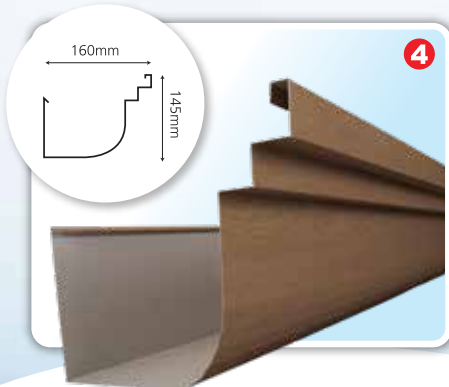
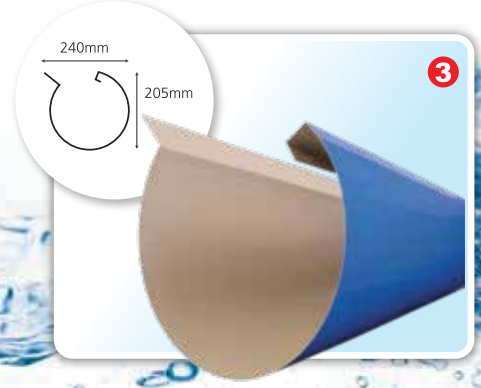
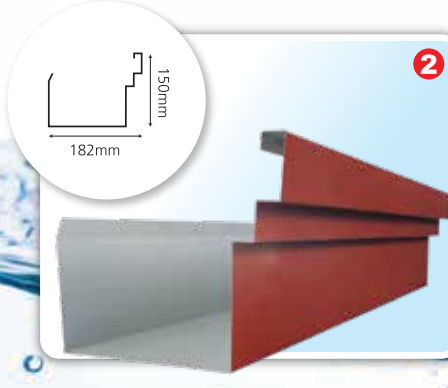
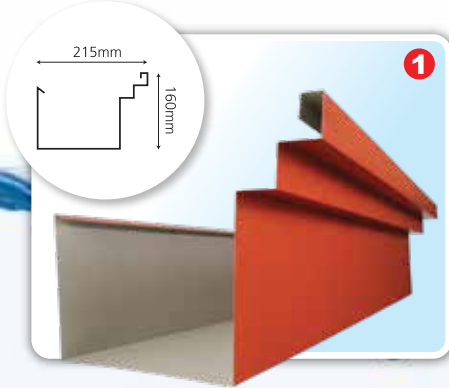
Zincalume® Elements® clean Colorbond® PRIMA-R™

TH-FEATURED® GUTTER

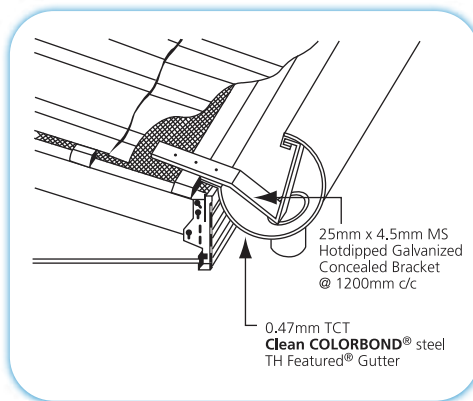
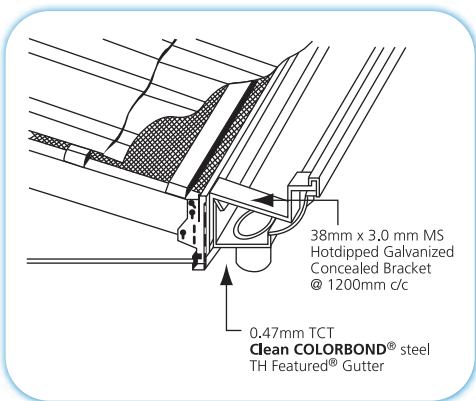
RESIDENTIAL & COMMERCIAL GUTTER

Whether you're renovating a classic house or searching for a distinctive look for a new home, add the perfect finishing touch to your **TH-FEATURED® Gutter** roof with our extensive range of rainwater goods. **TH-FEATURED® Gutter** goods provide the perfect finishing touch.

Our rainwater goods are manufactured from **ZINCALUME®** steel with Clean **COLORBOND®** prepainted steel available, so they'll stand up to years of the harshest Malaysia climate.



INSTALLATION DETAILS



Brackets spacing

When the gutters are attached to **TH-FASCIA BOARD®**, then the gutter bracket spacing should mirror the spacing of the fascia brackets (600mm or 1200mm), and the gutter brackets should be adjacent to the fascia brackets.

COLOUR CHART

The choice of colours and styles is extensive, covering everything you could need from gutters and downpipes, to fascia, flashings and cappings.



TANAH LIAT



AUTUMN RED



KEKABU



MUARA BLUE



KAYU JATI



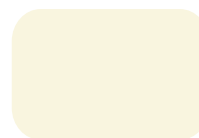
OAK



RIMBA GREEN



ARMOUR GREY



AWANA WHITE



ZINCALUME (ZA)

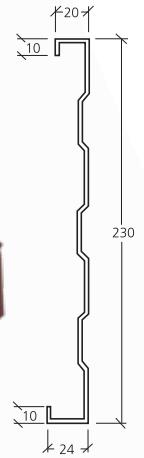
FASCIA BOARD

TH-FASCIA BOARD® is attractive and easy to install. It is strong, lightweight and can be used as a complete system.

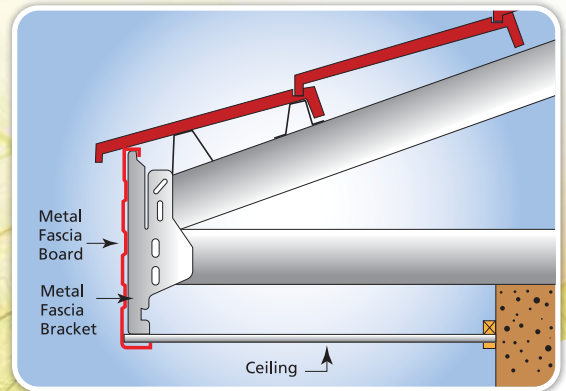


Other Available Size:

- 200mm
- 250mm
- 300mm



Model FB: 230



DOWNPIPES & ACCESSORIES

These downpipes and accessories are compatible with the TH-FEATURED® Gutter system.

Most downpipes and accessories are available in ZINCALUME® steel and a range of PRIMAMAJU™ steel, Clean COLORBOND® steel colours to match or contrast with your roof.

Downpipes

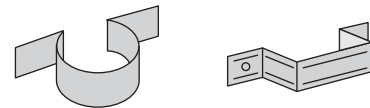


Rectangular or Square
available size (mm) :
100 x 50 ● 120 x 75
140 x 75 ● 100 x 100

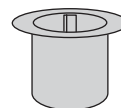


Round
available size (mm) ø :
75 ● 100 ● 125 ● 150

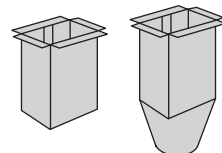
Accessories



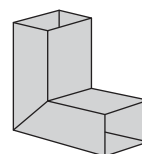
Brackets



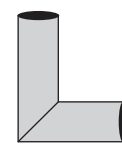
Outlets



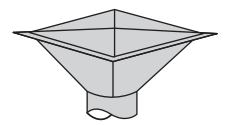
Nozzles



Square corner



Round corner



Hopper

INDUSTRY GUTTER

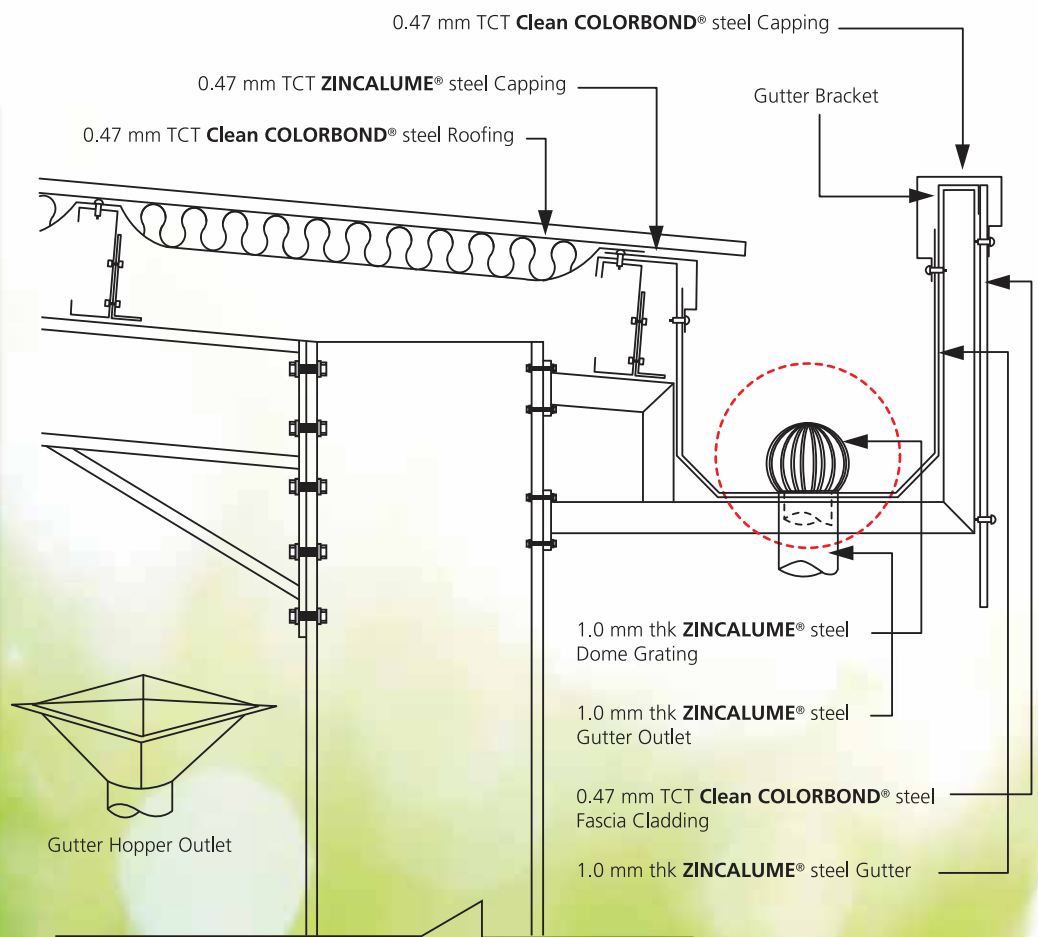
DOME GRATING ZINCALUME® steel



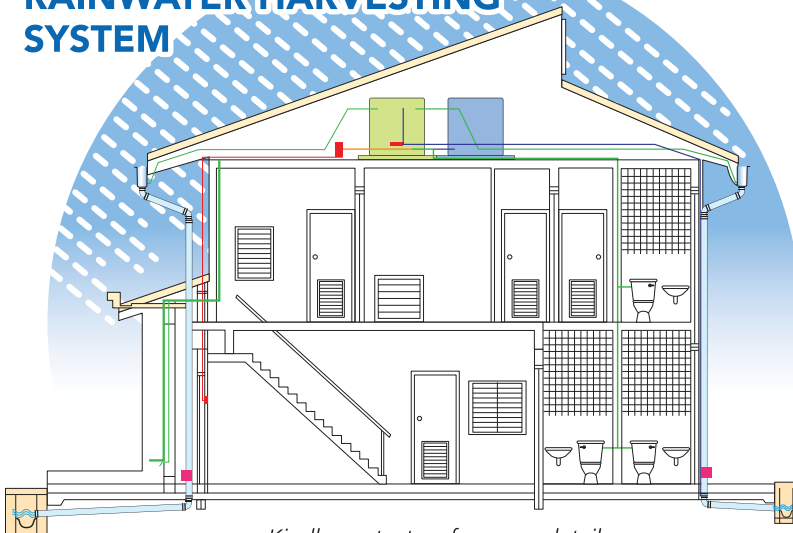
Available size :

100 mm Ø ● 150 mm Ø
200 mm Ø ● 300 mm Ø

Materials : ZINCALUME® steel



RAINWATER HARVESTING SYSTEM



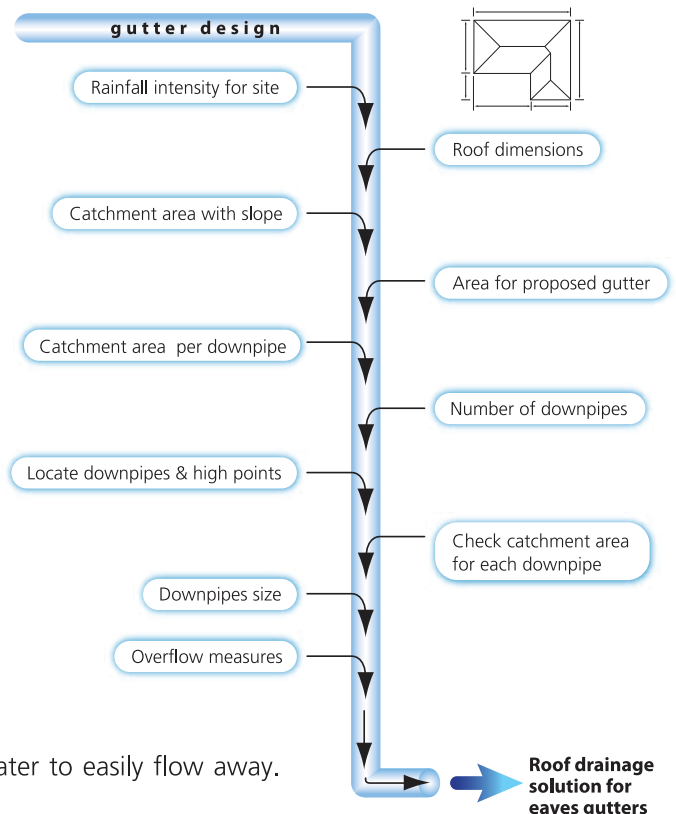
Kindly contact us for more detail.

GUTTER DESIGN

If a catchment area is too big then you can:

- Increase the number and size of downpipes;
- Reposition the downpipes and / or the high points;
- Choose a gutter with bigger effective cross-sectional

Install gutters with a suitable fall to avoid ponding and to allow water to easily flow away. Steeper falls are preferred for prolonged life of the gutter.





ONE CALL SOLUTION

We provide everything you need, with one phone call, one order and no running around. So for your next project, it makes sense to insist on steel sheeting and rainwater goods from **THUNG HING**.



COATING



DESIGN
FLEXIBILITY



RECYCLING



HI-TECH
PRODUCTION



TERMAL
EFFICIENCY



DURABILITY /
SECURITY



COLOUR
CHOICE



WARRANTY



THUNG HING INDUSTRIAL TRADING SDN BHD (264902-P)

Lot P. T. 1353, Jalan Mohd Taib, Kawasan Industriarian Sg. Choh,
48000 Rawang, Selangor Darul Ehsan, Malaysia

Email: enquiries@thunghing.com

<http://www.thunghing.com>

Distributor:

FLASHING & CAPPING

We supply flashings and cappings standard or custom made.
The finish can be plain **ZINCALUME®** steel or **Clean COLORBOND®** steel.



WARRANTY & CERTIFICATE

